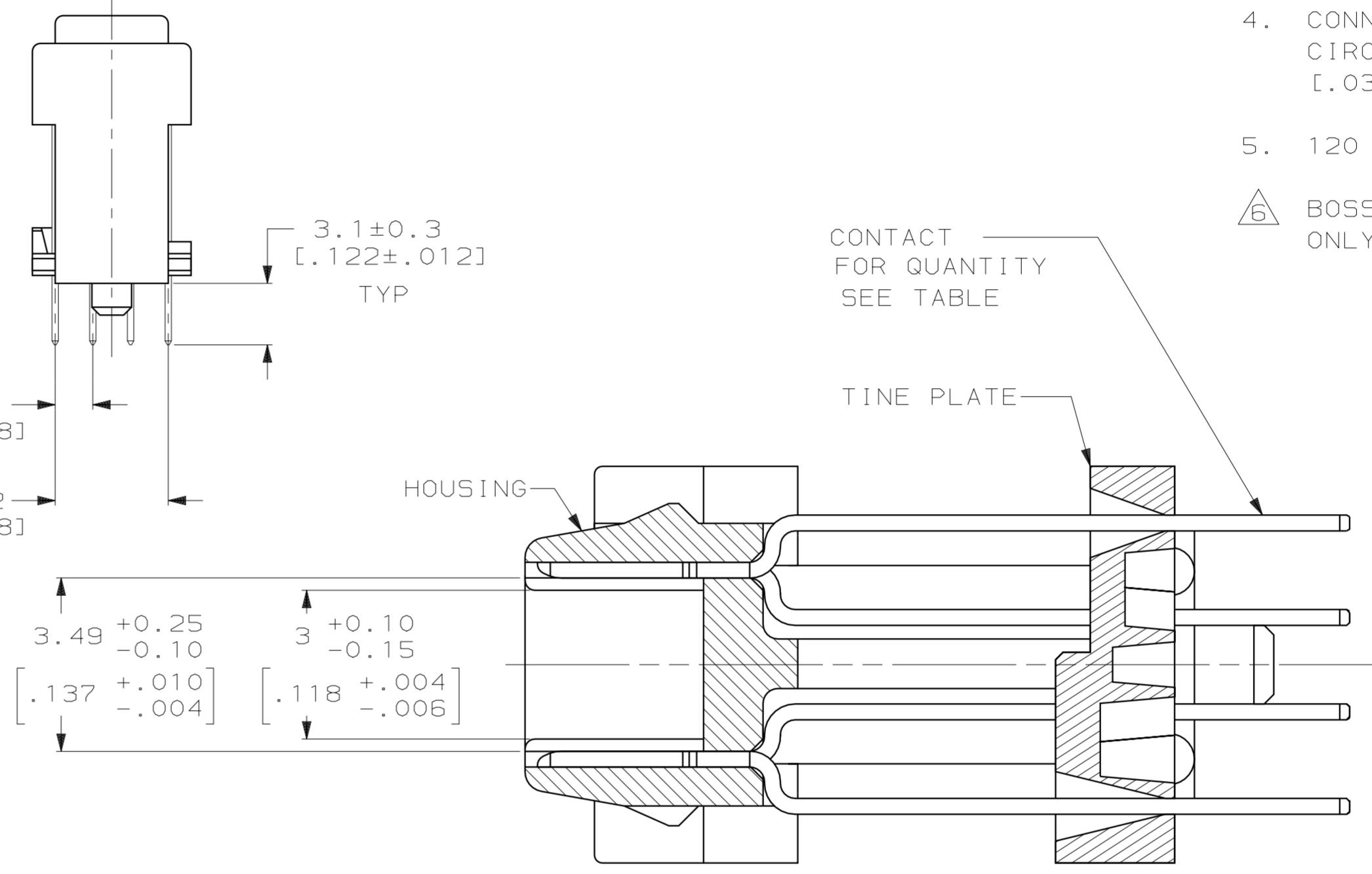
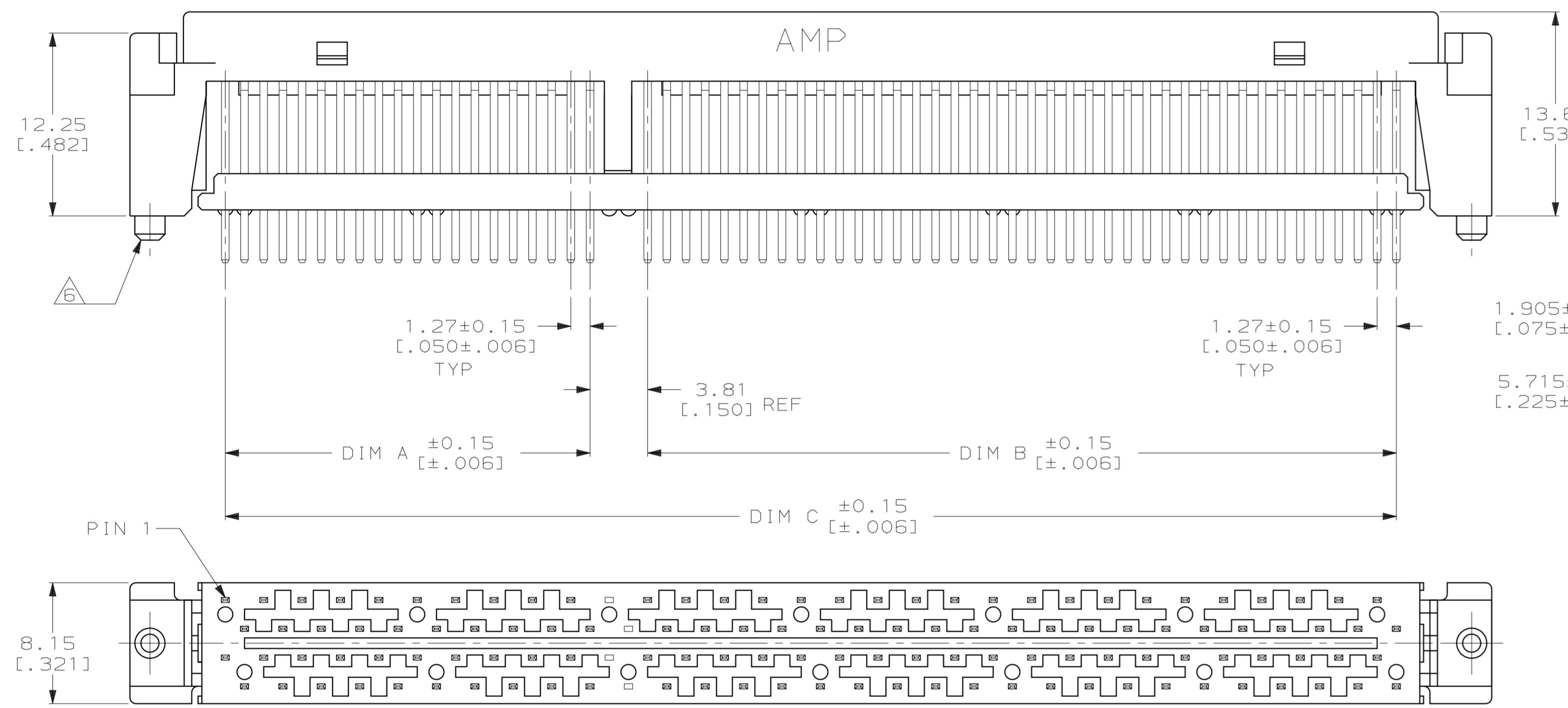
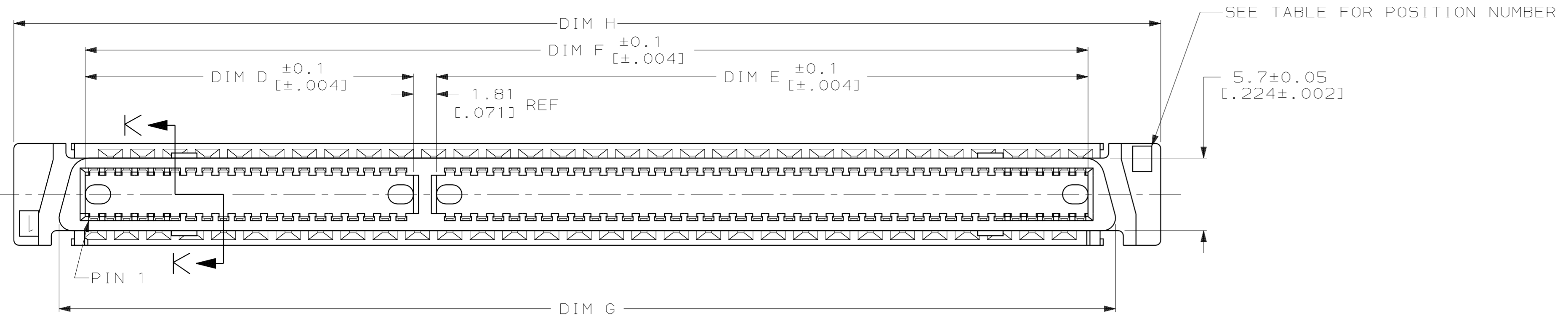


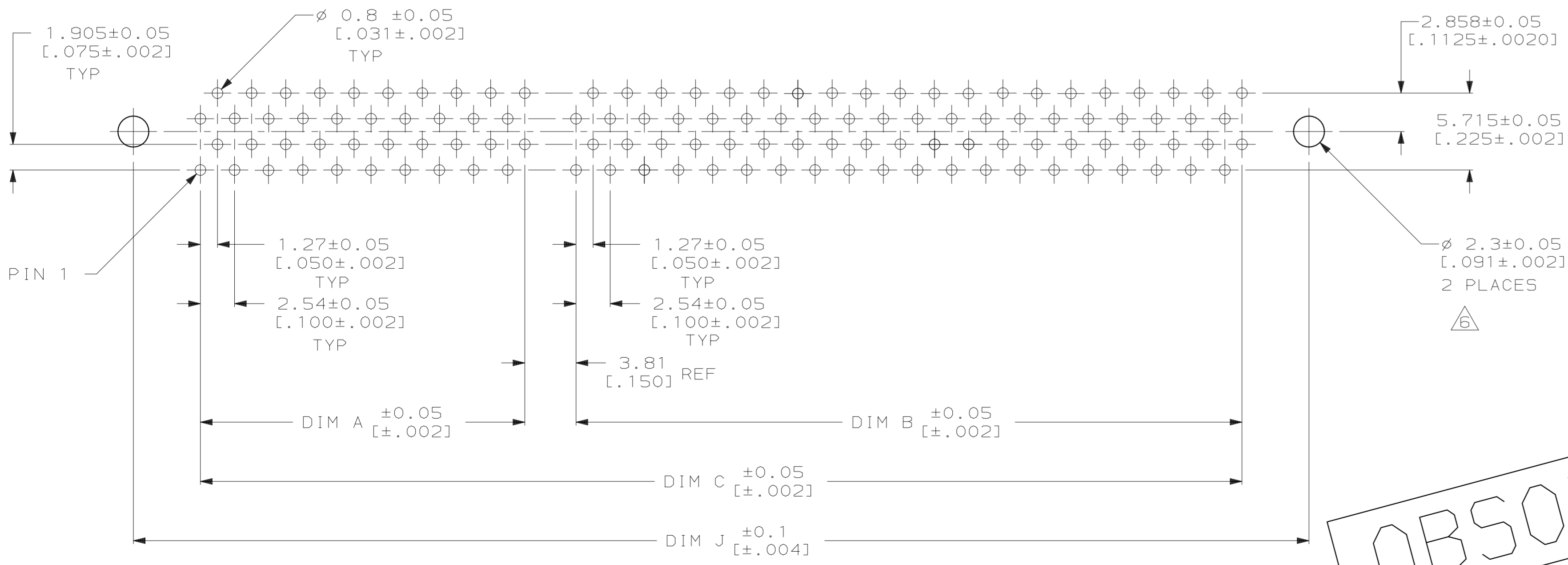
LOC		DIST		REVISONS		DATE	APPD
AR	84	P	F	ZONE	LTR	DESCRIPTION	
				B		REDRAWN; NPR C92-128	6/11/92 JHW
				C		OBSOLETE PER EC 0020-146-94	03/15/94 JM



SECTION K-K
SCALE 10:1

- △ MATERIAL:
 HOUSING AND TINE PLATE - GLASS FILLED 6/6 NYLON (ZYTEL FR50), 94V-0, BLACK.
 CONTACTS - PHOSPHOR BRONZE, 0.32 [0.0125] THICK, PLATED WITH 0.3µm [0.000011] MINIMUM THICK GOLD IN CONTACT AREA AND 1.0µm [0.000039] MINIMUM THICK TIN-LEAD ON SOLDER TINE OVER 1.27µm [0.000050] MINIMUM THICK NICKEL UNDERPLATE.
2. DIMENSIONS IN BRACKETS [] ARE IN INCHES.
- △ DIMENSIONS ARE MAXIMUM UNLESS OTHERWISE SPECIFIED.
4. CONNECTOR WILL ACCOMMODATE PRINTED CIRCUIT BOARD THICKNESS OF 0.8-1.6 [0.031-.063].
5. 120 POSITION AS SHOWN.
- △ BOSSES ON PN 176376-1, -2, -3, AND -4 ONLY.

	DIM J	DIM H	PART NO
-	128.34 [5.053]		176376-8
-	115.64 [4.553]		176376-7
-	102.94 [4.053]		176376-6
-	90.24 [3.553]		176376-5
72.2 [2.843]	75.00 [2.953]		176376-4
59.5 [2.343]	62.30 [2.453]		176376-3
46.8 [1.843]	49.60 [1.953]		176376-2
34.1 [1.343]	36.90 [1.453]		176376-1



SUGGESTED PC BOARD MOUNTING DIMENSIONS COMPONENT SIDE

120.71 [4.753]	117.57 [4.629]	64.23 [2.529]	51.53 [2.029]	115.57 [4.550]	62.23 [2.450]	49.53 [1.950]	180	176376-8
108.01 [4.253]	104.87 [4.129]	64.23 [2.529]	38.83 [1.529]	102.87 [4.050]	62.23 [2.450]	36.83 [1.450]	160	176376-7
95.31 [3.753]	92.17 [3.629]	51.53 [2.029]	38.83 [1.529]	90.17 [3.550]	49.53 [1.950]	36.83 [1.450]	140	176376-6
82.61 [3.253]	79.47 [3.129]	51.53 [2.029]	26.13 [1.029]	77.47 [3.050]	49.53 [1.950]	24.13 [0.950]	120	176376-5
67.37 [2.653]	64.23 [2.529]	-	-	62.23 [2.450]	-	-	100	176376-4
54.67 [2.153]	51.53 [2.029]	-	-	49.53 [1.950]	-	-	80	176376-3
41.97 [1.653]	38.83 [1.529]	-	-	36.83 [1.450]	-	-	60	176376-2
29.27 [1.153]	26.13 [1.029]	-	-	24.13 [0.950]	-	-	40	176376-1
DIM G	DIM F	DIM E	DIM D	DIM C	DIM B	DIM A	POSITION	PART NO

OBSOLETE

METRIC

THIS DRAWING IS A CONTROLLED DOCUMENT FOR AMP INCORPORATED. IT IS SUBJECT TO CHANGE AND THE CONTROLLING ENGINEERING ORGANIZATION SHOULD BE CONTACTED FOR THE LATEST REVISION.

DO NOT SCALE PRINT. UNLESS SPECIFIED DIMENSIONS IN mm [INCHES] TOLERANCES ON:	DR 6/11/92 JOEL HAROLD WOOTEN
2 PLC DEC ±	CHK 2/3/93 D. HUSSEY
3 PLC DEC ±	APPD 2/3/93 G. BOWMAN
ANGLES ±	APPD 2/3/93 T. PIZZULO
MATERIAL	PRODUCT SPEC 108-5309
FINISH	APPLICATION SPEC
WEIGHT	

AMP AMP Incorporated Harrisburg, PA 17105-3608		
NAME RECEPTACLE ASSEMBLY, VERTICAL, FH (FREE HEIGHT) CONNECTOR, CHAMP .050, SERIES I		
SIZE D	CAGE CODE 00779	DRAWING NO C=176376
SCALE 4:1	SHEET 1 OF 1	